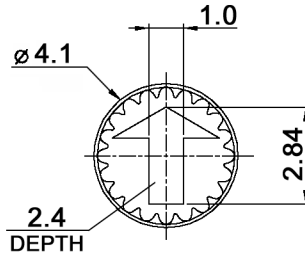
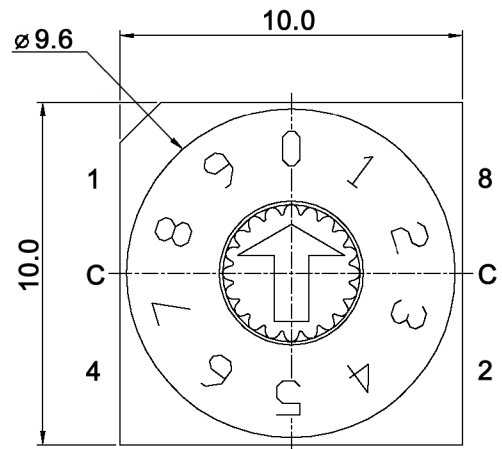
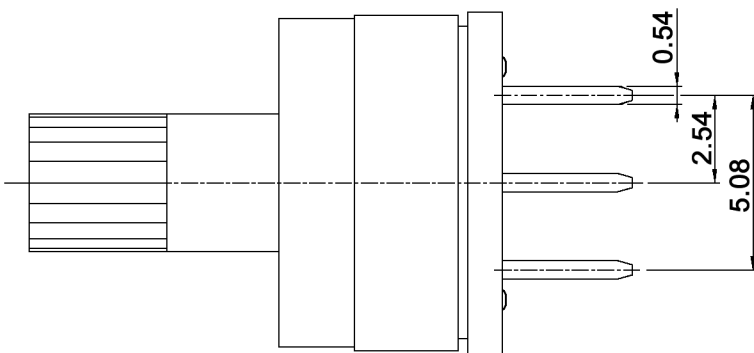
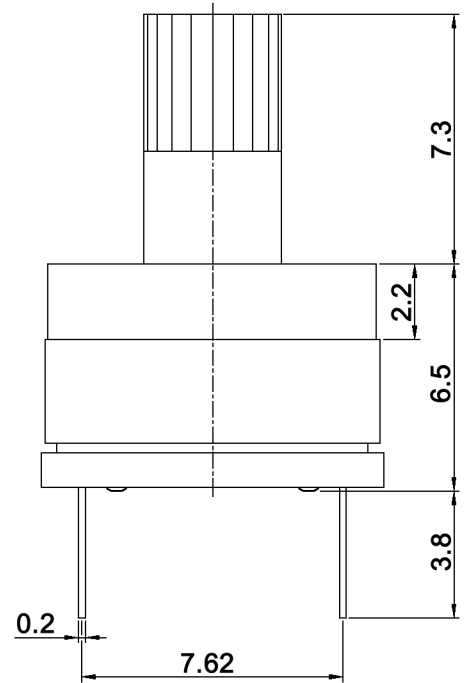
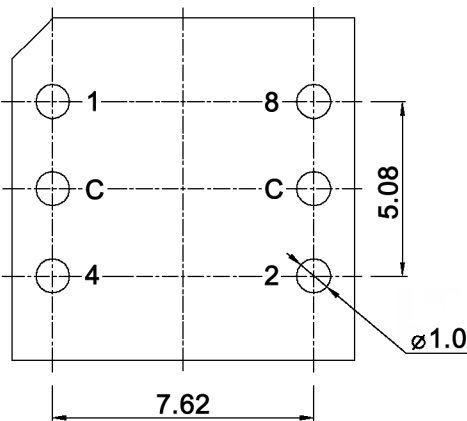


ACTUATOR



P.C.B. DIMENSION



Compliance: RohS III (2015/863/EU)

Tolerances: 0.5-3: ±0.1 mm 3-6: ±0.1 mm 6-30: ±0.2 mm			Date	Name
Standoff	10/23	dr	04/07	dr
Material	02/21	dr		
Soldering conditions	01/11	dr		
IP rating	07/09	dr		
Operating temperature	11/08	dr		
Coding scheme	02/08	dr		
Temperatures	01/08	dr		
Modifications	Date	Name		

**DRS 61010**

**knitter-switch**

**30 11 09**

Page

1/2

Specifications:

**Contact rating:** switching: 150mA, 42V DC  
 non-switching: 200mA, 42V DC  
**Contact resistance:** 80mOhm max.  
**Insulation resistance:** 100MOhm min.  
**Mechanical life:** 10 000 cycles  
**Operating force:** 700gf max.  
**Operating temperature:** -40°C to +85°C  
**Storage temperature:** -40°C to +85°C  
**Soldering conditions:** pre-heat: max. 120°C, max. 70sec.  
 wave soldering: max. 260°C, max. 10sec.  
**IP rating:** IP67  
**Material:** Cover: PA66, white  
 O-ring: silicone, black  
 Actuator: POM, gray  
 PCB: epoxy  
 Base: PA66, black  
 Terminal / contact: phosphor bronze, min. 0.07µm gold plated  
 over min. 0.1µm nickel

BCD

		Real coded				
		C	1	2	4	8
10 P o s i t i o n s	0	●				
	1	●	●			
	2	●		●		
	3	●	●	●		
	4	●			●	
	5	●	●		●	
	6	●		●	●	
	7	●	●	●	●	
	8	●				●
	9	●	●			●

Compliance: RohS III (2015/863/EU)

Tolerances: 0.5-3: ±0.1 mm 3-6: ±0.1 mm 6-30: ±0.2 mm			Date	Name	<h1>DRS 61010</h1>	
Standoff	10/23	dr	04/07	dr		
Material	02/21	dr				
Soldering conditions	01/11	dr				
IP rating	07/09	dr				
Operating temperature	11/08	dr				
Coding scheme	02/08	dr	<b>knitter-switch</b>	<h2>30 11 09</h2>		
Temperatures	01/08	dr				Page
Modifications	Date	Name				2/2